

KOA SERIES STEEL OPEN RACK

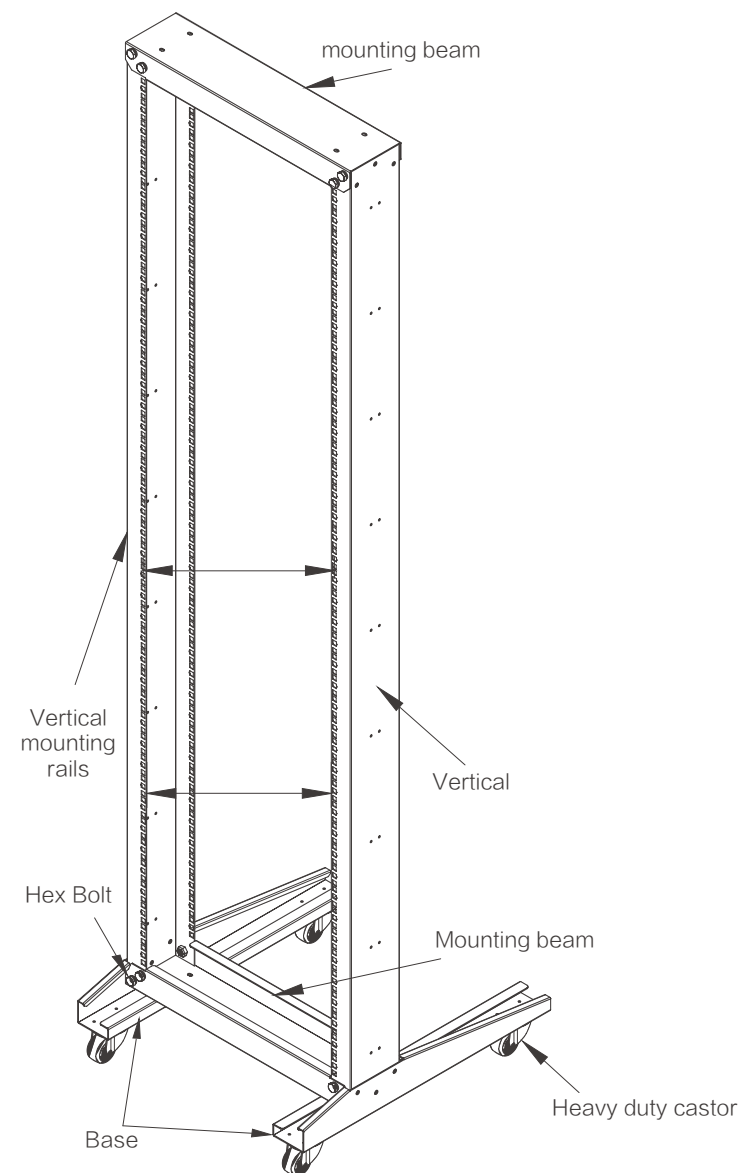
STATIC LOADING CAPACITY

300KG



ACTUAL THICKNESS

Vertical mounting rails	Upper beam	Lower beam
1.7	2.2	2.2



STANDARD

Comply with EIA-310-E, IEC297-2, DIN41491 PART I, DIN41494 PART7, GB/T3047.2-92 standard, compatible with ETSI standard.

FEATURES

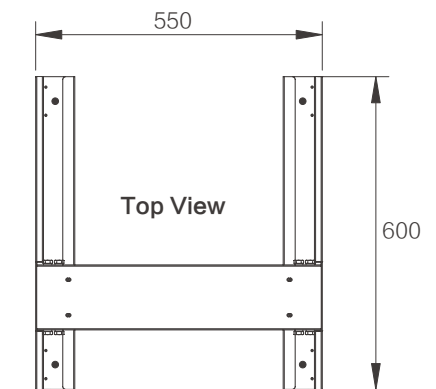
- Modular design, easy to mounting and dismantle for saving cost
 - Knock down package to lower down transport cost
 - With grounding device
 - Parts are optional, such as cable trough, cable management rail
- Surface treatment procedure is degreasing-->pickling-->anti-rust and phosphorization-->water cleaning-->powder coating, RoHS compliant.

LOADING CAPACITY

- Static loading capacity 300kg (should be uniformly loaded and fixed onto ground)

MAIN MATERIAL

- SPCC cold rolled steel;
- Thickness for rail 1.7mm, thickness for upper and lower beam are 2.2mm.



Ordering Information:

Model No	Capacity (U)	Width (mm)	Depth (mm)	Height (mm)	Packing Dimension			Volume (CBM)
					Width	Depth	Height	
KOA□ 5636□	36	550	600	1810	1735	140	155	0.04
KOA□ 5642□	42	550	600	2077	2000	140	155	0.04
KOA□ 5645□	45	550	600	2210	2135	140	155	0.05
KOA□ 5648□	48	550	600	2344	2265	140	155	0.05

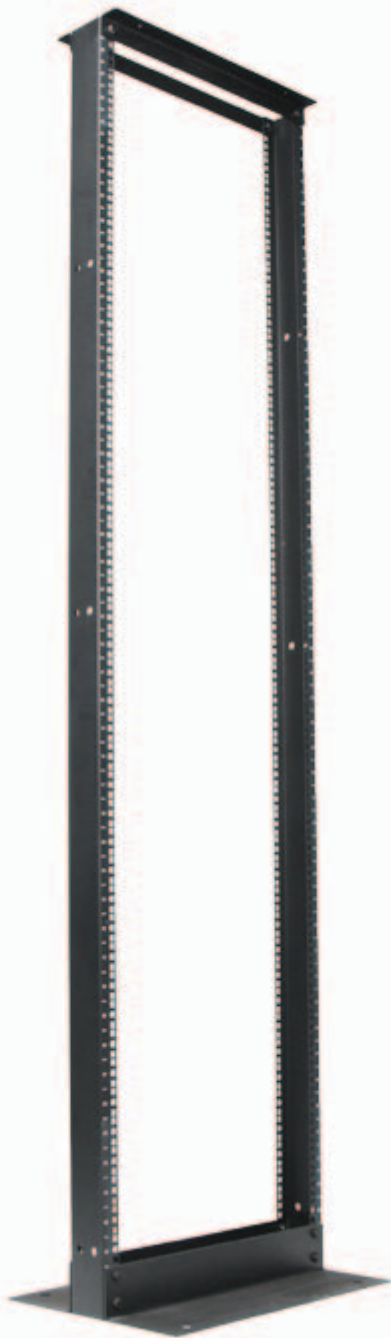
Color definition	
□□□□□□□□ A	Black RAL9005
□□□□□□□□ B	Gray RAL7035

U mark definition	
□□□ A □□□□□□	9.5mmx9.5mm square hole
□□□ B □□□□□□	12-24UNC



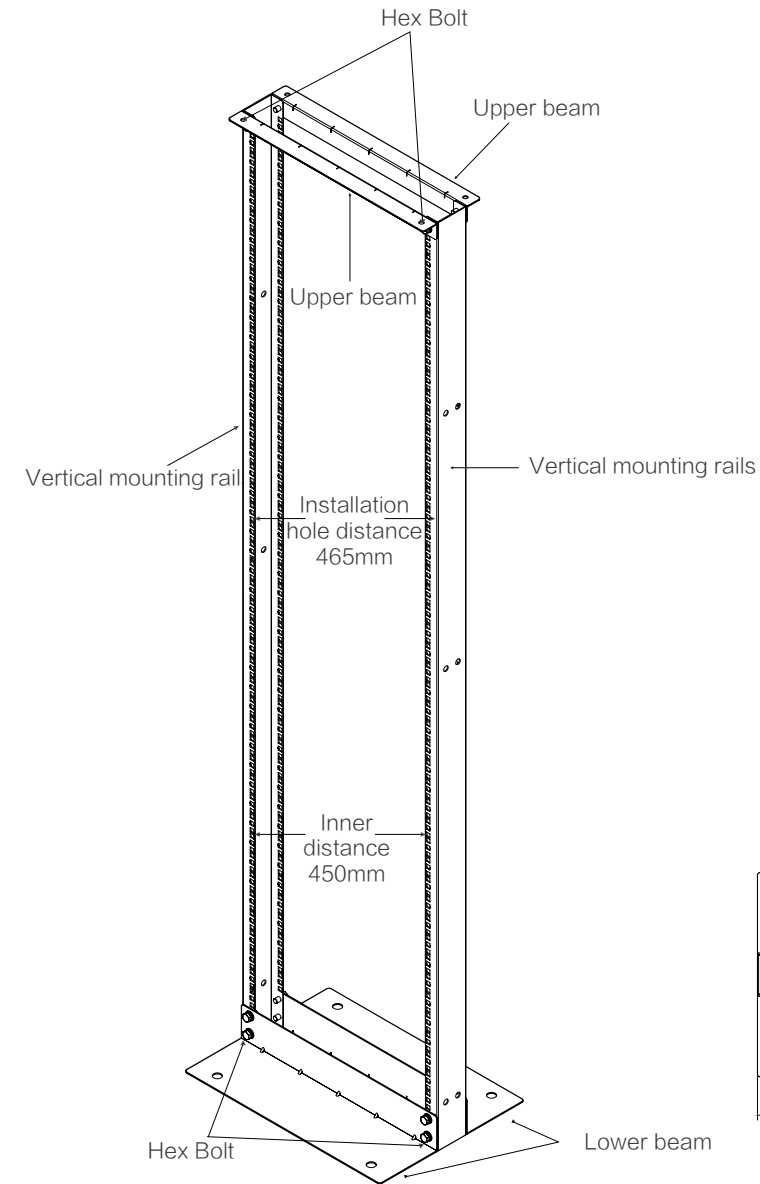
KOB SERIES STEEL OPEN RACK

STATIC LOADING CAPACITY
300KG



ACTUAL THICKNESS

Vertical mounting rails	Upper beam	Lower beam
2.7	3.2	5.2



STANDARD

Comply with EIA-310-E, IEC297-2, DIN41491 PART1, DIN41494 PART7, GB/T3047.2-92 standard, compatible with ETSI standard.

FEATURES

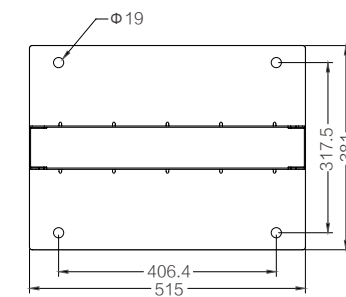
- Modular design, easy to mounting and dismantle for saving cost
 - Knock down package to lower down transport cost
 - With grounding device
 - Parts are optional, such as cable trough, cable management rail
- Surface treatment procedure is degreasing-->pickling-->anti-rust and phosphorization-->water cleaning-->powder coating, RoHS compliant.

LOADING CAPACITY

- Static loading capacity 300kg (should be uniformly loaded and fixed onto ground)

MAIN MATERIAL

- SPCC cold rolled steel;
- Thickness for rail 2.7mm, thickness for upper beam 3.2mm, thickness for lower beam 5.2mm



Top View



Ordering Information:

Model No	Capacity (U)	Width (mm)	Depth (mm)	Height (mm)	Packing Dimension			Volume (CBM)
					Width	Depth	Height	
KOB□5336□	36	515	381	1722	1750	175	100	0.03
KOB□5342□	42	515	381	1989	2020	175	100	0.04
KOB□5345□	45	515	381	2122	2150	175	100	0.04
KOB□5348□	48	515	381	2255	2285	175	100	0.04

Color definition	
□□□□□□□□ A	Black RAL9005
□□□□□□□□ B	Gray RAL7035

U mark defination	
□□□ A □□□□□□	9.5mmx9.5mm square hole
□□□ B □□□□□□	12-24UNC

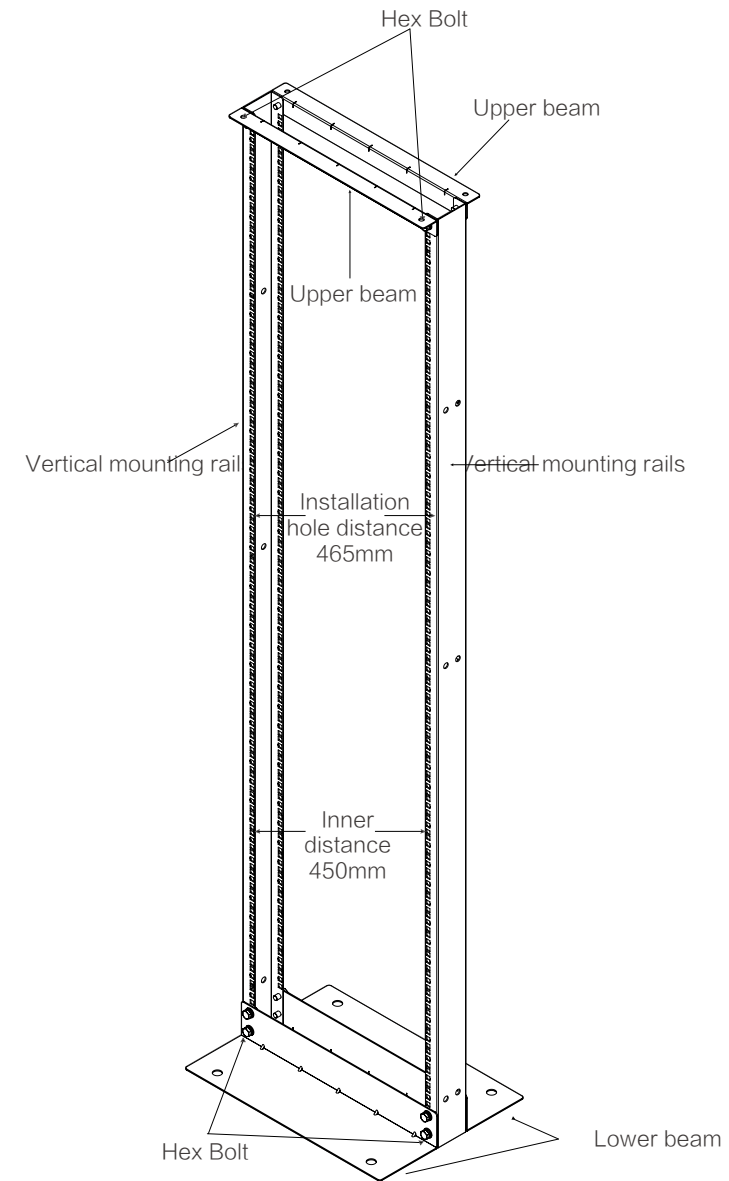
KOC SERIES ALUMINUM OPEN RACK

STATIC LOADING CAPACITY
300KG



ACTUAL THICKNESS

Vertical Mounting Rails	Upper Beam	Lower beam
5.2	3.2	6.2



Ordering Information:

Model No	Capacity (U)	Width (mm)	Depth (mm)	Height (mm)	Packing Dimension			Volume (CBM)
					Width	Depth	Height	
KOC□5336□	36	515	381	1722	1750	175	100	0.03
KOC□5342□	42	515	381	1989	2020	175	100	0.04
KOC□5345□	45	515	381	2122	2150	175	100	0.04
KOC□5348□	48	515	381	2255	2285	175	100	0.04

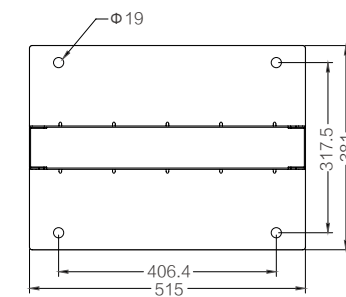
Color definition	
□□□□□□□□ A	Black RAL9005
□□□□□□□□ B	Gray RAL7035

STANDARD
Comply with EIA-310-E, IEC297-2, DIN41491 PART1, DIN41494 PART7, GB/T3047.2-92 standard, compatible with ETSI standard.

- FEATURES**
- Modular design, easy to mounting and dismantle for saving cost
 - Knock down package to lower down transport cost
 - With grounding device
 - Parts are optional, such as cable trough, cable management rail
- Surface treatment procedure is degreasing-->pickling-->anti-rust and phosphorization-->water cleaning-->powder coating, RoHS compliant.

- LOADING CAPACITY**
- Static loading capacity 300kg (should be uniformly loaded and fixed onto ground)

- MAIN MATERIAL**
- Fine Aluminum Profile
 - Thickness for rail 5.2mm, thickness for upper beam 3.2mm, thickness for lower beam 6.2mm



Top View

U mark defination	
□□□ A □□□□□□	9.5mmx9.5mm square hole
□□□ B □□□□□□	12-24UNC





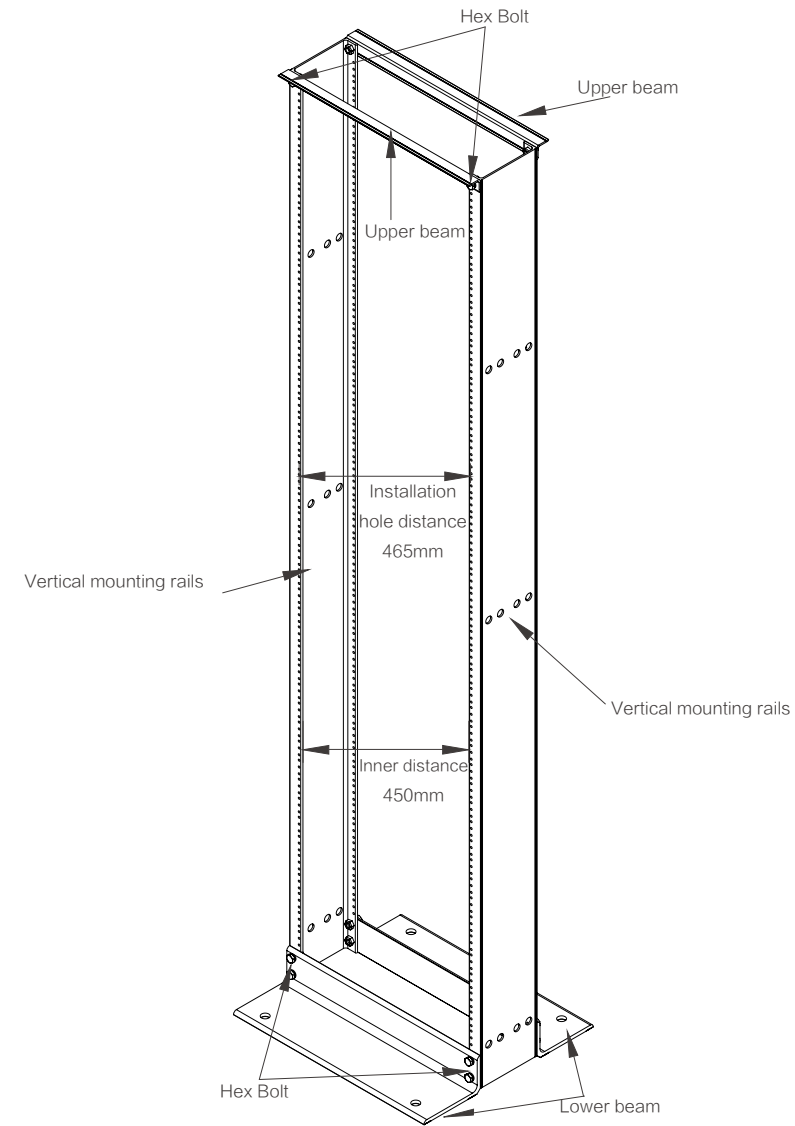
KOD SERIES ALUMINIUM OPEN RACK

STATIC LOADING CAPACITY
500KG



ACTUAL THICKNESS

Vertical mounting rails	Upper beam	Lower beam
5.2	3.7	8.7



STANDARD

Comply with EIA-310-E, IEC297-2, DIN41491 PART1, DIN41494 PART7, GB/T3047.2-92 standard, compatible with ETSI standard.

FEATURES

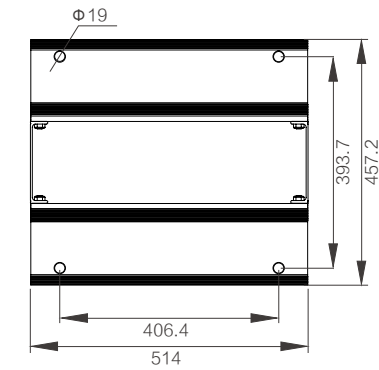
- Modular design, easy to mounting and dismantle for saving cost
 - Knock down package to lower down transport cost
 - With grounding device
 - Parts are optional, such as cable trough, cable management rail
- Surface treatment procedure is degreasing-->pickling-->anti-rust and phosphorization-->water cleaning-->powder coating, RoHS compliant.

LOADING CAPACITY

- Static loading capacity 500kg (should be uniformly loaded and fixed onto ground)

MAIN MATERIAL

- Fine Aluminium
- Thickness for rail 5mm, Top bracket thickness 3.5mm, Base bracket thickness 8.5mm.



Top View



Ordering Information:

Model No	Capacity (U)	Width (mm)	Depth (mm)	Height (mm)	Packing Dimension			Volume (CBM)
					Width	Depth	Height	
KOD□5437□	37	515	457.2	1778	1800	190	130	0.04
KOD□5442□	42	515	457.2	2000	2030	190	130	0.05
KOD□5445□	45	515	457.2	2134	2160	190	130	0.05
KOD□5448□	48	515	457.2	2267	2300	190	130	0.06

Color definition	
□□□□□□□□ A	Black RAL9005
□□□□□□□□ B	Gray RAL7035

U mark definition	
□□□ A □□□□□□	9.5mmx9.5mm square hole
□□□ B □□□□□□	12-24UNC

CABINETS & RACKS ACCESSORIES

L-RAIL (KP110)

Thickness definition:

□□□□□□□□ 1 □ t1.2mm □□□□□□□□ 2 □ t1.5mm
 □□□□□□□□ 3 □ t2.0mm □□□□□□□□ 4 □ t0.8mm

Used for supporting internal equipment of cabinet

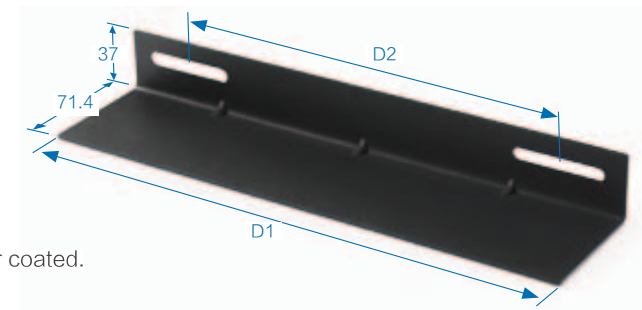
Material:t2.0 SPCC cold rolled steel.

Surface Finish:Degreasing, pickling, phosphoric, powder coated.

Loading capacity: 30~60 KG

Color definition:

□□□□□□□□ A Black RAL9005
 □□□□□□□□ B Gray RAL7035



Model No	Part name	D1	D2	Usage
KP11025 □□	L-Rail 250	250	175	Suit for D600 W800 KA/KB/KC rack with cable manager
KP11030 □□	L-Rail 300	300	225	Suit for D600 KA/KB/KC rack & D450 wall cabinet
KP11040 □□	L-Rail 400	400	325	Suit for D800 KH/KI/KJ rack & D600 wall cabinet
KP11045 □□	L-Rail 450	450	375	Suit for D800 W800 KA/KB/KC rack with cable manager
KP11050 □□	L-Rail 500	500	425	Suit for D800 KA/KB/KC rack Suit for D1000 W800 KH/KI with cable manager
KP11060 □□	L-Rail 600	600	525	Suit for D1000 W800 KH/KI with cable manager
KP11065 □□	L-Rail 650	650	575	Suit for D1000 rack
KP11070 □□	L-Rail 700	700	625	Suit for rack with depth above 1000mm
KP11075 □□	L-Rail 750	750	675	Suit for rack with depth above 1000mm

FIXED SHELF (KP120)

Thickness definition:

□□□□□□□□ 1 □ t1.2mm □□□□□□□□ 2 □ t1.5mm
 □□□□□□□□ 3 □ t2.0mm □□□□□□□□ 4 □ t0.8mm

Used for supporting internal equipment of cabinet

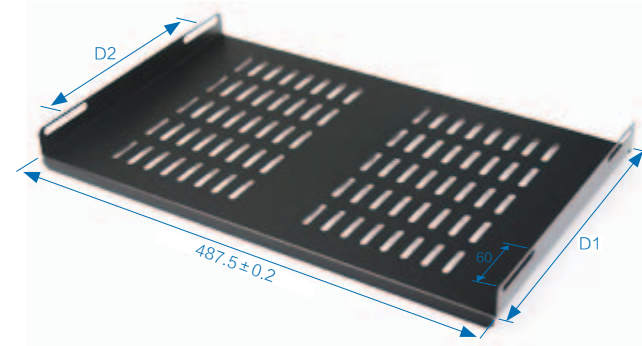
Material:t0.8 SPCC cold rolled steel.

Surface Finish:Degreasing, pickling, phosphoric, powder coated.

Loading capacity: 80 KG

Color definition:

□□□□□□□□ A Black RAL9005
 □□□□□□□□ B Gray RAL7035



Model No	Part name	D1	D2	Usage
KP12025 □□	Fixed shelf-250	250	170	Suit for D600 W800 KA/KB/KC rack with cable manager
KP12030 □□	Fixed shelf-300	300	220	Suit for D600 KA/KB/KC rack & D450 wall cabinet
KP12040 □□	Fixed shelf-400	400	320	Suit for D800 KH/KI/KJ rack & D600 wall cabinet
KP12045 □□	Fixed shelf-450	450	370	Suit for D800 W800 KA/KB/KC rack with cable manager
KP12050 □□	Fixed shelf-500	500	420	Suit for D800 KA/KB/KC rack Suit for D1000 W800 KH/KI with cable manager
KP12060 □□	Fixed shelf-600	600	520	Suit for D1000 W800 KH/KI with cable manager
KP12065 □□	Fixed shelf-650	650	570	Suit for D1000 rack
KP12070 □□	Fixed shelf-700	700	620	Suit for rack with depth above 1000mm
KP12075 □□	Fixed shelf-750	750	670	Suit for rack with depth above 1000mm

CANTILEVER SHELF (KP210)

Used for supporting internal equipment of cabinet

Material: t1.2 SPCC cold rolled steel.

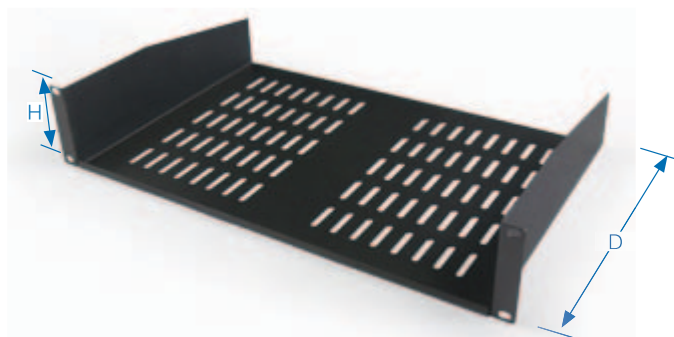
Surface Finish: Degreasing, pickling, phosphoric, powder coated.

Loading capacity: 20 KG

Color definition:

□□□□□□□□ A Black RAL9005

□□□□□□□□ B Gray RAL7035



Model No	Part name	H	D	Usage
KP210125 □	Cantilever shelf 1U250	250	44	Height1U, Depth250 apply to 19"network cabinet
KP210130 □	Cantilever shelf 1U300	300	44	Height1U, Depth300 apply to 19"network cabinet
KP210135 □	Cantilever shelf 1U350	350	44	Height1U, Depth350 apply to 19"network cabinet
KP210230 □	Cantilever shelf 2U300	300	88	Height2U, Depth300 apply to 19"network cabinet
KP210235 □	Cantilever shelf 2U350	350	88	Height2U, Depth350 apply to 19"network cabinet
KP210240 □	Cantilever shelf 2U400	400	88	Height2U, Depth400 apply to 19"network cabinet

CANTILEVER L LEVEL (KP2A0)

For Equipment Storage.

Material: t1.2 SPCC cold rolled steel.

Surface Finish: Degreasing, pickling, phosphoric, powder coated.

Loading capacity: 18 KG

Color definition:

□□□□□□□□ A Black RAL9005

□□□□□□□□ B Gray RAL7035



Model No	Part name	H	D	Usage
KP2A0125 □	Cantilever L Level	88.5	400	apply to cantilever shelf or rear of the equipment

2U LOW-PROFILE SHELF (KP220)

For Equipment Storage.

Material: t1.2 SPCC cold rolled steel.

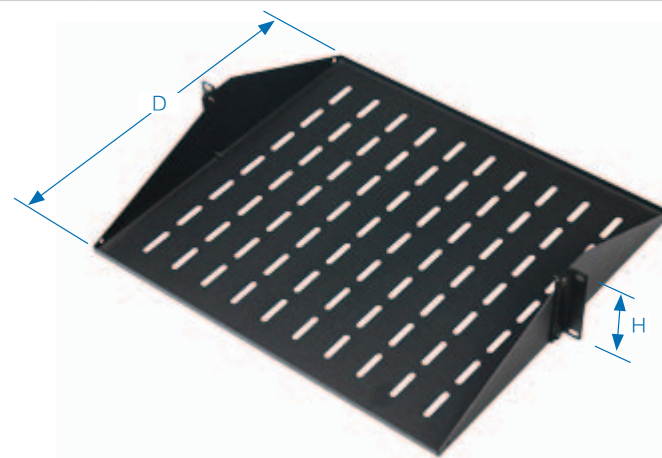
Surface Finish: Degreasing, pickling, phosphoric, powder coated.

Loading capacity: 18 KG

Color definition:

□□□□□□□□ A Black RAL9005

□□□□□□□□ B Gray RAL7035



Model No	Part name	Width	Height	Depth	Usage
KP220240 □	2U Low-Profile Shelf	482.6	88.5	400	apply to various open racks

DOUBLE-SIDED SHELF (KP230)

For Equipment Storage.

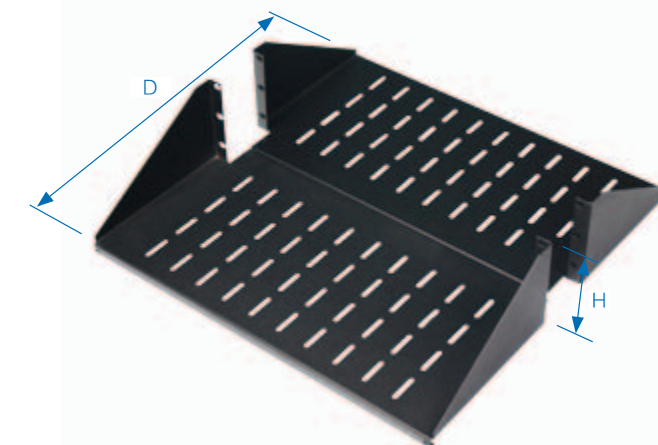
Material: t1.5 SPCC cold rolled steel.

Surface Finish: Degreasing, pickling, phosphoric, powder coated.

Color definition:

□□□□□□□□ A Black RAL9005

□□□□□□□□ B Gray RAL7035



Model No	Part name	Size	load	Width	Height	Depth	Usage
KP230250 □	2U Low-Profile Shelf	2U	25	491	88.5	500	apply to KOB series open racks
KP230350 □	3U Double-Sided Shelf	3U	35	491	133	500	apply to KOB series open racks
KP230460 □	4U Double-Sided Shelf	4U	40	491	177	600	apply to KOB series open racks
KP230560 □	5U Double-Sided Shelf	5U	90	491	222	600	apply to KOB series open racks

3U FAN UNIT (KP520)

Pluy Type:

□□□□□□□□ 0□ No plug □□□□□□□□ 1□ CHN plug

□□□□□□□□ 2□ EU plug □□□□□□□□ 3□ UK plug

□□□□□□□□ 4□ US plug □□□□□□□□ 5□ AUS plug

Color definition:

□□□□□□□□ A Black RAL9005

□□□□□□□□ B Gray RAL7035

Parameter: Operating temperature: -10-60°C

Input: 220VAC/110VAC

Material: t1.2 SPCC cold rolled steel.

Surface Finish: Degreasing, pickling, phosphoric, powder coated.



Model No	Part name	Voltage	Fan units	Packing Dimension	Qty	Usage
KP52022 □□	3U Fan unit	220v	2	505 × 150 × 275	5	apply to 19" cabinets
KP52032 □□	3U Fan unit	220v	3	505 × 150 × 275	5	apply to 19" cabinets
KP52021 □□	3U Fan unit	110v	2	505 × 150 × 275	5	apply to 19" cabinets
KP52031 □□	3U Fan unit	110v	3	505 × 150 × 275	5	apply to 19" cabinets

1U LIGHT HOLDER (KP751)

Material: t1.2 SPCC cold rolled steel.

Surface Finish: Degreasing, pickling, phosphoric, powder coated.

Color definition:

□□□□□□□□ A Black RAL9005

□□□□□□□□ B Gray RAL7035



Model No	Part name	Voltage	Size	Usage
KP751101 □	1U Light holder	220v	1U	For 19" cabinets



FAN UNIT FOR KA&KB CABINETS (KP521)

Pluy Type:

- 0□ No plug □□□□□□□1□ CHN plug
- 2□ EU plug □□□□□□□3□ UK plug
- 4□ US plug □□□□□□□5□ AUS plug

Color definition:

- A Black RAL9005
- B Gray RAL7035

Parameter: Operating temperature: -10-60°C
Input: 220VAC/110VAC

Material: t1.2 SPCC cold rolled steel.

Surface Finish: Degreasing, pickling, phosphoric, powder coated.



Model No	Part name	Voltage	Fan units	Packing Dimension	Qty	Usage
KP521222 □	Fan unit for KA cabinets	220v	2	310 × 370 × 275	10	Apply to depth 600mm KA cabinets
KP521422 □	Fan unit for KA cabinets	220v	4	310 × 530 × 305	6	Apply to depth 800mm KA cabinets
KP521211 □	Fan unit for KA cabinets	110v	2	310 × 370 × 275	6	Apply to depth 600mm KA cabinets
KP521411 □	Fan unit for KA cabinets	110v	4	310 × 530 × 305	6	Apply to depth 800mm KA cabinets

FAN UNIT FOR KW CABINETS (KP522)

Pluy Type:

- 0□ No plug □□□□□□□1□ CHN plug
- 2□ EU plug □□□□□□□3□ UK plug
- 4□ US plug □□□□□□□5□ AUS plug

Color definition:

- A Black RAL9005
- B Gray RAL7035

Parameter: Operating temperature: -10-60°C
Input: 220VAC/110VAC

Material: t1.2 SPCC cold rolled steel.

Surface Finish: Degreasing, pickling, phosphoric, powder coated.



Model No	Part name	Voltage	Fan units	Usage
KP522122 □	Fan unit for KW cabinets	220v	1	Apply to KW cabinets
KP522222 □	Fan unit for KW cabinets	220v	2	Apply to KW cabinets
KP522111 □	Fan unit for KW cabinets	110v	1	Apply to KW cabinets
KP522211 □	Fan unit for KW cabinets	110v	2	Apply to KW cabinets

ACCESSORIES SERIES

KEYBOARD AND MOUSE SHELF (KP320)

Material: t1.2 SPCC cold rolled steel.

Surface Finish: Degreasing, pickling, phosphoric, powder coated.

Loading capacity: 50KG

Color definition:

- A Black RAL9005
- B Gray RAL7035



Model No	Part name	Size	Packing Dimension	Usage
KP320235 □	2U Drawer	2U	390 × 525 × 570	19"installation cabinets

DRAWER (KP310)

Material: t1.2 SPCC cold rolled steel.

12 inch high quality slide track

Surface Finish: Degreasing, pickling, phosphoric, powder coated.

Color definition:

- A Black RAL9005
- B Gray RAL7035



Model No	Part name	Size	Packing Dimension	Usage
KP310235 □	2U Drawer	2U	390 × 525 × 570	19"installation cabinets
KP310335 □	3U Drawer	3U		19"installation cabinets

SLIDING SHELF (KP330)

Material: t1.2 SPCC cold rolled steel.

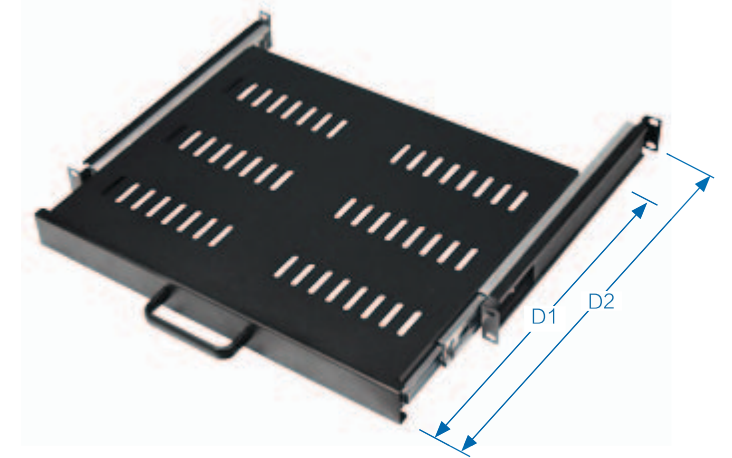
Surface Finish: Degreasing, pickling, phosphoric, powder coated.

Loading capacity: 50KG

Slide Track: 12 inch (20 inchi) high quality slide track.

Color definition:

- A Black RAL9005
- B Gray RAL7035



Model No	Part name	D1	D2	Packing Dimension	Usage
KP330135 □	Sliding shelf 350	350	330~600	390 × 525 × 570	19"installation cabinets
KP330155 □	Sliding shelf 550	550	530~800		19"installation cabinets



BLANK PANEL (KP510)

Material: t0.8 SPCC cold rolled steel.

Surface Finish: Degreasing, pickling, phosphoric, powder coated.

Color definition:

□□□□□□□□ A Black RAL9005

□□□□□□□□ B Gray RAL7035



Model No	Part name	Size	Packing Dimension	Qty	Usage
KP510101 □	1U Blank panel	1U	505 × 100 × 55	10	19"used for blocking the airflow and aesthetic
KP510102 □	2U Blank panel	2U	505 × 100 × 55	6	19"used for blocking the airflow and aesthetic
KP510103 □	3U Blank panel	4U	505 × 145 × 50	6	19"used for blocking the airflow and aesthetic
KP510104 □	4U Blank panel	4U	505 × 190 × 55	6	19"used for blocking the airflow and aesthetic

FAST LOCKING BLANK PANEL (KP510)

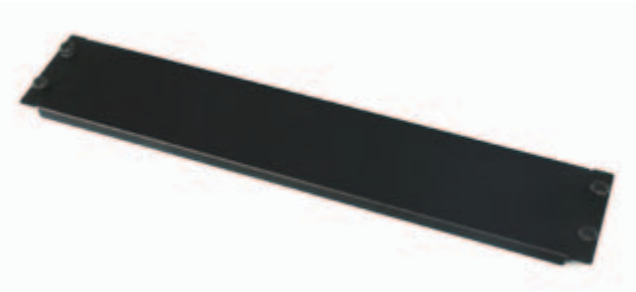
Material: t0.8 SPCC cold rolled steel.

Surface Finish: Degreasing, pickling, phosphoric, powder coated.

Color definition:

□□□□□□□□ A Black RAL9005

□□□□□□□□ B Gray RAL7035



Model No	Part name	Size	Packing Dimension	Qty	Usage
KP510301 □	1U Fast locking blank panel	1U	505 × 100 × 55	8	19"used for blocking the airflow and aesthetic
KP510302 □	2U Fast locking blank panel	2U	505 × 100 × 55	4	19"used for blocking the airflow and aesthetic
KP510303 □	3U Fast locking blank panel	3U	500 × 145 × 50	4	19"used for blocking the airflow and aesthetic
KP510304 □	4U Fast locking blank panel	4U	500 × 190 × 55	4	19"used for blocking the airflow and aesthetic

CLICKING TYPE BLANK PANEL (KP510)

Material: t0.8 SPCC cold rolled steel.

Surface Finish: Degreasing, pickling, phosphoric, powder coated.

Color definition:

□□□□□□□□ A Black RAL9005

□□□□□□□□ B Gray RAL7035



Model No	Part name	Size	Packing Dimension	Qty	Usage
KP510401 □	1U Clicking type blank panel	1U	505 × 100 × 55	8	19"used for blocking the airflow and aesthetic
KP510402 □	2U Clicking type blank panel	2U	505 × 100 × 55	4	19"used for blocking the airflow and aesthetic

PLASTIC BLANK PANEL (KP510)

Material: Flame retardant ABS material.

Precisely engineered clips for square mounting holes.

Tool-free mounting designed for ease-of-use and rapid deployment.

Color definition:

□□□□□□□□ A Black RAL9005

□□□□□□□□ B Gray RAL7035



Model No	Part name	Size	Packing Dimension	Qty	Usage
KP51021A □	1U Plastic blank panel	1U			19"used for blocking the airflow and aesthetic
KP51022A □	2U Plastic blank panel	2U			19"used for blocking the airflow and aesthetic

6U SNAP-OFF BLANKING PANEL

Material: Flame retardant ABS material.

Precisely engineered clips for square mounting holes

Tool-free mounting designed for ease-of-use and rapid deployment

Flame retardant (UL94)ABS plastic, scratch-resistant, light and durable, recyclable

Color definition:

□□□□□□□□ A Black RAL9005

□□□□□□□□ B Gray RAL7035



Model No	Part name	Size	Packing Dimension	Qty	Usage
KP510606 □	6U snap-off blanking panel	6U	500*280*275mm	15	19"used for blocking the airflow and aesthetic

1U PLASTIC HORIZONTAL RACK MOUNT CABLE MANAGER

Material: Flame retardant ABS material.

Mounting screws included

Fits 19" standard equipment. Accommodates tower units, monitors and other equipment.

Panel included 12 slots for more flexibility. An included plastic panel cover offers your system a more neat and organized look.

Light weight and durable, premium quality craftsmanship.

Color definition:

□□□□□□□□ A Black RAL9005

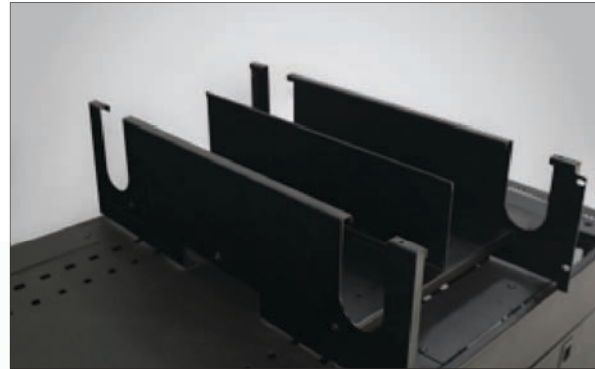
□□□□□□□□ B Gray RAL7035



Model No	Part name	Size	Packing Dimension	Qty	Usage
KP411401 □	1U plastic horizontal rack mount cable manager	1U	505*100*56	1	19" for cable management
KP411402 □	2U plastic horizontal rack mount cable manager	2U		1	19" for cable management



CABLE DUCT (KP440)



Material: t1.2 SPCC cold rolled steel.

Surface Finish: Degreasing, pickling, phosphoric, powder coated.

Overhead Cable Management System: Organized, Accessible, Manageable

- Overall cooling efficiency improves because conditioned air is not blocked by cable dams below the plenum.
- Valuable space is opened up within rack enclosures.
- Large high-density bundles lie flat to avoid harsh, damaging bends
- Re-cabling due to moves, adds, and changes is faster and easier—and consequently less expensive.

Color definition:

- A Black RAL9005
- B Gray RAL7035



Model No	Part name	Size	Application
KP440160 □	Dual channel cable duct-600	Width of each channel 155mm	Dual channel, Suit for 600mm wide KH,KI cabinets
KP440180 □	Dual channel cable duct-800	Width of each channel 155mm	Dual channel, Suit for 800mm wide KH,KI cabinets
KP4401FB □	Dual channel cable duct end cap		Optional, Suit for Dual channel cable duct
KP4401G6 □	Dual channel cable duct cover-600		Optional, Suit for Dual channel cable duct-600
KP4401G8 □	Dual channel cable duct cover-800		Optional, Suit for Dual channel cable duct-800
KP440260 □	Triple channel cable duct-600	Width of each channel 165mm	Triple channel, Suit for 600mm wide KH,KI cabinets
KP440280 □	Triple channel cable duct-800	Width of each channel 165mm	Triple channel, Suit for 800mm wide KH,KI cabinets
KP4402FB □	Triple channel cable duct end cap		Optional, Optional, Suit for Triple channel cable duct
KP4402G6 □	Triple channel cable duct cover-600		Optional, Optional, Suit for Triple channel cable duct-600
KP4402G8 □	Triple channel cable duct cover-800		Optional, Optional, Suit for Triple channel cable duct-800

METAL CABLE MANAGER WITH 5 RINGS

Material: t1.2 SPCC cold rolled steel.

Surface Finish: Degreasing, pickling, phosphoric, powder coated.

Color definition:

- A Black RAL9005
- B Gray RAL7035



Model No	Part name	Size	Packing Dimension	Qty	Usage
KP410101 □	Metal cable manager with 5 rings	1U	505 × 100 × 55	1	19" for cable management

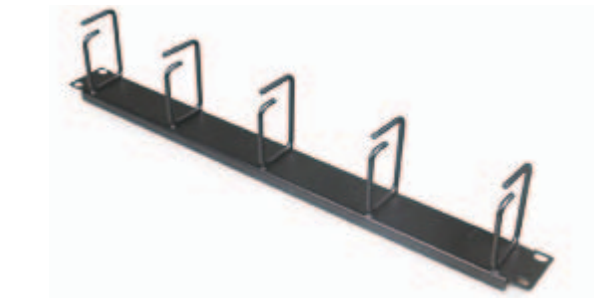
METAL CABLE MANAGER WITH 5 RINGS

Material: t1.2 SPCC cold rolled steel.

Surface Finish: Degreasing, pickling, phosphoric, powder coated.

Color definition:

- A Black RAL9005
- B Gray RAL7035



Model No	Part name	Size	Packing Dimension	Qty	Usage
KP410201 □	Metal cable manager with 5 rings	1U	505 × 100 × 55	1	19" for cable management

CABLE MANAGER WITH 5 PLASTIC RINGS

Material: t1.2 SPCC cold rolled steel;

Surface Finish: Degreasing, pickling, phosphoric, powder coated.

Color definition:

- A Black RAL9005
- B Gray RAL7035



Model No	Part name	Size	Packing Dimension	Qty	Usage
KP410301 □	Cable manager with 5 plastic rings	1U	505 × 100 × 55	1	19" for cable management

METAL SLOTTED CABLE MANAGER WITH COVER

Material: t1.2 SPCC cold rolled steel.

Surface Finish: Degreasing, pickling, phosphoric, powder coated.

Application: 19" for cable management

Color definition:

- A Black RAL9005
- B Gray RAL7035



Model No	Part name	Size	slots	Usage
KP411101 □	1U Metal slotted cable manager with cover	1U	12	19" for cable management
KP411102 □	2U Metal slotted cable manager with cover	2U	12	19" for cable management
KP411111 □	1U Metal slotted cable manager with cover	1U	24	19" for cable management
KP411112 □	2U Metal slotted cable manager with cover	2U	24	19" for cable management



CABLE MANAGER WITH 5 PLASTIC RINGS

Material: t1.2 SPCC cold rolled steel.

Surface Finish: Degreasing, pickling, phosphoric, powder coated.

Color definition:

□□□□□□□□ A Black RAL9005

□□□□□□□□ B Gray RAL7035



Model No	Part name	Size	Packing Dimension	Qty	Usage
KP410501 □	1U Cable manager with 5 plastic rings	1U	505 × 100 × 55	1	19" for cable management
KP410502 □	2U Cable manager with 5 plastic rings	2U	500 × 110 × 100	1	19" for cable management

PLASTIC FIVE RING DOUBLE SIDE CABLE MANAGEMENT

Material: t1.2 SPCC cold rolled steel.

Surface Finish: Degreasing, pickling, phosphoric, powder coated.

Application: 19" for cable management

Color definition:

□□□□□□□□ A Black RAL9005

□□□□□□□□ B Gray RAL7035



Model No	Part name	Size	Packing Dimension	Qty	Usage
KP410601 □	1U Plastic five ring double side cable management	1U	505 × 115 × 55	1	19" for cable management
KP410602 □	2U Plastic five ring double side cable management	2U	505 × 115 × 105	1	19" for cable management

FINGER TYPE CABLE MANAGER

Material: t1.2 SPCC cold rolled steel.

Surface Finish: Degreasing, pickling, phosphoric, powder coated.

Application: 19" for cable management

Color definition:

□□□□□□□□ A Black RAL9005

□□□□□□□□ B Gray RAL7035



Model No	Part name	Size	Packing Dimension	Qty	Usage
KP411201 □	1U Finger type cable manager	1U	505 × 115 × 55	1	19" for cable management
KP411202 □	2U Finger type cable manager	2U	505 × 115 × 105	1	19" for cable management

PERFORATED FINGER TYPE CABLE MANAGEMENT

Material: t1.2 SPCC cold rolled steel.

Surface Finish: Degreasing, pickling, phosphoric, powder coated.

Application: 19" for cable management

Color definition:

□□□□□□□□ A Black RAL9005

□□□□□□□□ B Gray RAL7035



Model No	Part name	Size	Packing Dimension	Qty	Usage
KP411301 □	Perforated finger type cable management1U	1U	505 × 115 × 55	1	19" for cable management
KP411302 □	Perforated finger type cable management2U	2U	505 × 115 × 105	1	19" for cable management

Horizontal cabling rod

For cabling in cabinets.

Material: Q195

Surface Finish: Degreasing, pickling, phosphoric, powder coated.

Application: 19" for cable management

Color definition:

□□□□□□□□ A Black RAL9005

□□□□□□□□ B Gray RAL7035



Model No	Part name	Qty	Packing Dimension	use
KP413101 □	Horizontal cabling rod	20	505 × 100 × 55	Apply to 19" cabinet

Horizontal cabling bar

For fixing the cables.

Material: t1.2 SPCC cold rolled steel.

Surface Finish: Degreasing, pickling, phosphoric, powder coated.

Application: 19" for cable management

Color definition:

□□□□□□□□ A Black RAL9005

□□□□□□□□ B Gray RAL7035



Model No	Part name	Qty	Packing Dimension	use
KP413201 □	Horizontal cabling bar	20	505 × 100 × 55	Apply to 19" cabinet

Cable entry with brush

Material: Flame retardant PP brush strip, T1.2 SPCC cold rolled steel

Surface Finish: Degreasing, pickling, phosphoric, powder coated.

Application: suit for 19" cabinet for aesthetics looking and sealing air

Color definition:

□□□□□□□□ A Black RAL9005

□□□□□□□□ B Gray RAL7035



Model No	Part name	Qty	Packing Dimension	use
KP412301 □	Cable entry with brush	5	505 × 100 × 55	apply to KA Cabinets

Brush panel cable manager

Material: Flame retardant PP brush strip,

T1.2 SPCC cold rolled steel.

Surface Finish: Degreasing, pickling, phosphoric, powder coated.

Application: 19" for cable management

Color definition:

□□□□□□□□ A Black RAL9005

□□□□□□□□ B Gray RAL7035



Model No	Part name	Size	Qty	Packing Dimension	use
KP412101 □	1U Brush panel cable manager	1U	2	505 × 100 × 55	Apply to 19" cabinet
KP412201 □	1U Brush panel cable manager with holes	1U	2	505 × 100 × 55	Apply to 19" cabinet

METAL CABLE MANAGEMENT RING

Material: SPCC cold rolled steel.

Surface Finish: Degreasing, Pickling, Phosphoric, Powder coated.

Color definition:

□□□□□□□□ A Black RAL9005

□□□□□□□□ B Gray RAL7035



Model No	Part name	Dimension	use
KP430101 □	Metal cable management ring		apply to KA Cabinets

METAL CABLE MANAGEMENT RING

Material: SPCC cold rolled steel.

Surface Finish: Degreasing, Pickling, Phosphoric, Zinc plated

Color definition:

□□□□□□□□ A Black RAL9005

□□□□□□□□ B Gray RAL7035



Model No	Part name	Dimension	use
KP431101 □	Metal cable management ring	74 × 44 × 22	apply to KA Cabinets

A TYPE 1U CABLE MANAGEMENT RING

Material: fire retardant

Surface Finish: Degreasing, Pickling, Phosphoric, Powder coated.

Color definition:

□□□□□□□□ A Black RAL9005

□□□□□□□□ B Gray RAL7035



Model No	Part name	Dimension	use
KP430301 □	A type 1U cable management ring		apply to cable management

A TYPE 2U CABLE MANAGEMENT RING

Material: fire retardant

Surface Finish: Degreasing, Pickling, Phosphoric, Powder coated.

Color definition:

□□□□□□□□ A Black RAL9005

□□□□□□□□ B Gray RAL7035



Model No	Part name	Dimension	use
KP430302 □	A type 2 U cable management ring		apply to cable management

B TYPE 1U CABLE MANAGEMENT RING

Material: Flame retardant plastic and cold rolled steel

Surface Finish: Degreasing, Pickling, Phosphoric, Powder coated.

Color definition:

□□□□□□□□ A Black RAL9005

□□□□□□□□ B Gray RAL7035



Model No	Part name	use
KP430401 □	B type 1U cable management ring	apply to cable management

B TYPE 2U CABLE MANAGEMENT RING

Material: fire retardant

Surface Finish: Degreasing, Pickling, Phosphoric, Powder coated.

Color definition:

□□□□□□□□ A Black RAL9005

□□□□□□□□ B Gray RAL7035



Model No	Part name	use
KP430402 □	B type 2U cable management ring	apply to cable management

MULTI-FUNCTION PLATE

Material: SPCC cold rolled steel

Surface Finish: Degreasing, Pickling, Phosphoric, Powder coated.

Color definition:

□□□□□□□□ A Black RAL9005

□□□□□□□□ B Gray RAL7035



Model No	Part name	use
KP450101 □	Multi-function plate	Suit for KA Series network cabinets cable management or PDU fixed

CABLE FIXER BASE

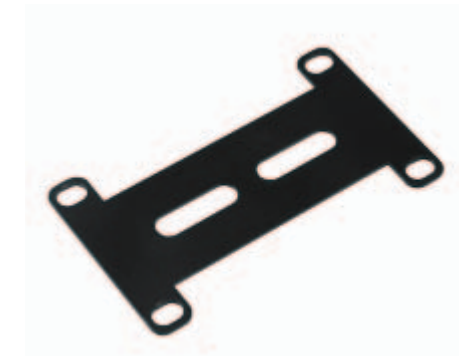
Material: SPCC cold rolled steel

Surface Finish: Degreasing, Pickling, Phosphoric, Powder coated.

Color definition:

□□□□□□□□ A Black RAL9005

□□□□□□□□ B Gray RAL7035



Model No	Part name	use
KP430401 □	Cable fixer base	Apply to KA rack for cable management purpose with cable fixer.

CABLE LASHING MANAGER

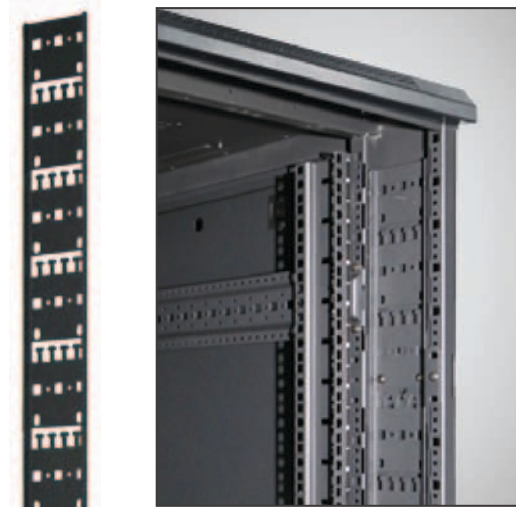
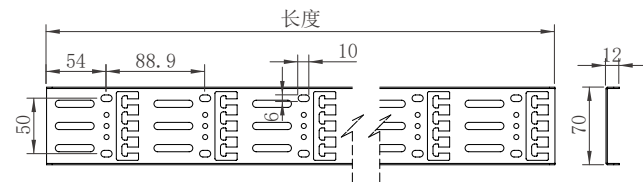
Material: t1.2 SPCC cold rolled steel.

Surface Finish: Degreasing, Pickling, Phosphoric, Powder coated.

Color definition:

□□□□□□□□ A Black RAL9005

□□□□□□□□ B Gray RAL7035



Model No	Part name	Size	length	use (installed with multi-function plate)
KP420118 □	18U Cable lashing manager	18U	800	Apply to 800 wide 18U KA cabinets
KP420122 □	22U Cable lashing manager	22U	978	Apply to 800 wide 22U KA cabinets
KP420127 □	27U Cable lashing manager	27U	1200	Apply to 800 wide 27U KA cabinets
KP420132 □	32U Cable lashing manager	32U	1422	Apply to 800 wide 32U KA cabinets
KP420137 □	37U Cable lashing manager	37U	1645	Apply to 800 wide 37U KA cabinets
KP420142 □	42U Cable lashing manager	42U	1867	Apply to 800 wide 42U KA cabinets
KP420147 □	47U Cable lashing manager	47U	2089	Apply to 800 wide 47U KA cabinets

CABLE MANAGEMENT SLOT

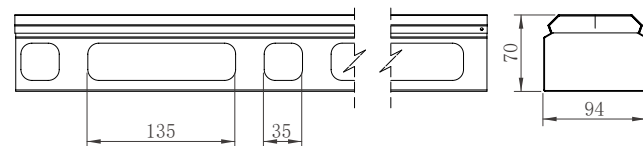
Material: t0.8 SPCC cold rolled steel.

Surface Finish: Degreasing, Pickling, Phosphoric, Powder coated.

Color definition:

□□□□□□□□ A Black RAL9005

□□□□□□□□ B Gray RAL7035



Model No	Part name	Size	length	use
KP421118 □	18U Cable management slot	18U	712	18U 800-width cabinets
KP421122 □	22U Cable management slot	22U	890	22U 800-width cabinets
KP421127 □	27U Cable management slot	27U	1112	27U 800-width cabinets
KP421132 □	32U Cable management slot	32U	1335	32U 800-width cabinets
KP421137 □	37U Cable management slot	37U	1557	37U 800-width cabinets
KP421142 □	42U Cable management slot	42U	1779	42U 800-width cabinets
KP421147 □	47U Cable management slot	47U	2001	47U 800-width cabinets

FINGER TYPE CABLE MANAGER

Material: t1.2 SPCC cold rolled steel.

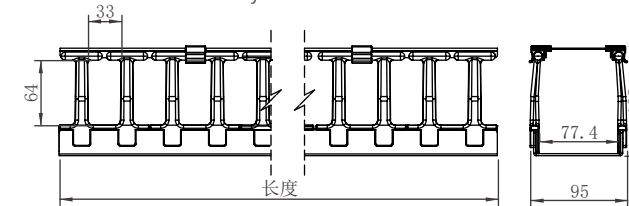
High-class ABS material, Flame retardant.

Surface Finish: Degreasing, Pickling, Phosphoric, Powder coated.

Color definition:

□□□□□□□□ A Black RAL9005

□□□□□□□□ B Gray RAL7035



Model No	Part name	Size	length	use
KP421218 □	18U Finger type cable manager	18U	711	18U 800-width cabinets & KO series open racks
KP421222 □	22U Finger type cable manager	22U	889	22U 800-width cabinets & KO series open racks
KP421227 □	27U Finger type cable manager	27U	1067	27U 800-width cabinets & KO series open racks
KP421222 □	32U Finger type cable manager	32U	1422	32U 800-width cabinets & KO series open racks
KP421237 □	37U Finger type cable manager	37U	1600	37U 800-width cabinets & KO series open racks
KP421242 □	42U Finger type cable manager	42U	1778	42U 800-width cabinets & KO series open racks
KP421247 □	47U Finger type cable manager	47U	1956	47U 800-width cabinets & KO series open racks

Model No	Part name	use
KP450101 □	Multi-function plate	Suit for KA Series network cabinets cable management or PDU fixed

VERTICAL CABLE MANAGER WITH 8 ROUND WIRE RINGS

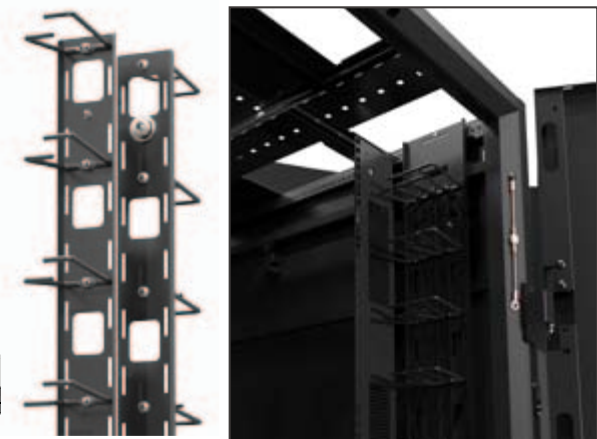
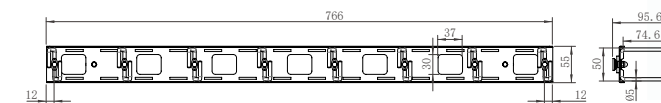
Material: fine quality SPCC cold rolled sheet, 1.2mm thickness with ϕ 5mm round wire rings

Surface treatment: Degreasing, pickling, phosphoric, powder coated

Color definition:

□□□□□□□□ A Black RAL9005

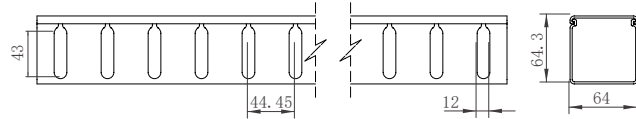
□□□□□□□□ B Gray RAL7035



Model No	Part name	Size	Application
KP422108 □	Vertical cable manager with 8 round wire rings	55*766*85, round wire ϕ 5	Suit for KH, KI series cabinets, tool free mounting on cable lashing manager

60MM VERTICAL PLASTIC CABLE MANAGER

60mm Vertical plastic cable manager can be installed in KA series cabinets with matching screws and nuts, also can be used in open racks



Model No	Part name	Size	length	use
KP421618 H	18U finger type vertical cable management	18U	712	
KP421622 H	22U finger type vertical cable management	22U	978	
KP421627 H	27U finger type vertical cable management	27U	1200	
KP421632 H	32U finger type vertical cable management	32U	1422	Suit for KA Width800 series network cabinets & KO series open racks, yellow
KP421637 H	37U finger type vertical cable management	37U	1645	
KP421642 H	42U finger type vertical cable management	42U	1868	
KP421645 H	45U finger type vertical cable management	45U	2000	
KP421647 H	47U finger type vertical cable management	47U	2090	

ADJUSTABLE PLINTH

Model No.: TKP01221T

Description:

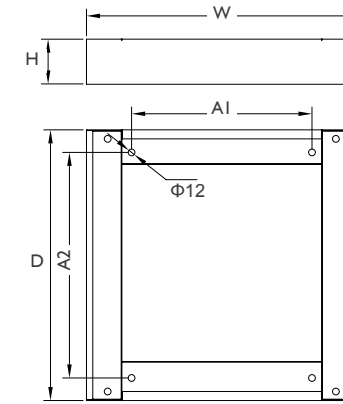
width 600mm, depth 600mm, height 250mm (adjustable range from 250mm to 400mm), side bar included.

Advantage:

Adjustable height, from 250mm to 400mm, 5mm one step, modular design for simple installation.
 Universal application for width 600mm and depth 600mm to 1200mm KA/KB/KC racks.
 Pre-fabricated holes for ground fixing.
 Plinths can be connected.



PLINTH (KP611)



Material:

t1.5 SPCC Cold rolled steel.

Surface Finish:

Degreasing, pickling, Phosphoric, powder coated.

Color definition:

- A Black RAL9005
- B Gray RAL7035

Model No	Part name	W	D	H	A1	A2	use
KP611166 □	Base6610	600	600	100	400	515	Appply to 600x600 KA series cabinets
KP611168 □	Base6810	600	800	100	400	715	Appply to 600x800 KA series cabinets
KP611160 □	Base6010	600	1000	100	400	915	Appply to 600x1000 KA series cabinets
KP611161 □	Base6110	600	1100	100	400	1015	Appply to 600x1100 KA series cabinets
KP611162 □	Base6210	600	1200	100	400	1115	Appply to 600x1200 KA series cabinets
KP611186 □	Base8610	800	600	100	600	515	Appply to 800x600 KA series cabinets
KP611188 □	Base8810	800	800	100	600	715	Appply to 800x800 KA series cabinets
KP611180 □	Base8010	800	1000	100	600	915	Appply to 800x1000 KA series cabinets
KP611181 □	Base8110	800	1100	100	600	1015	Appply to 800x1100 KA series cabinets
KP611182 □	Base8210	800	1200	100	600	1115	Appply to 800x1200 KA series cabinets
KP611266 □	Base6620	600	600	200	400	515	Appply to 600x600 KA series cabinets
KP611268 □	Base6820	600	800	200	400	715	Appply to 600x800 KA series cabinets
KP611260 □	Base6020	600	1000	200	400	915	Appply to 600x1000 KA series cabinets
KP611261 □	Base6120	600	1100	200	400	1015	Appply to 600x1100 KA series cabinets
KP611262 □	Base6220	600	1200	200	400	1115	Appply to 600x1200 KA series cabinets
KP611286 □	Base8620	800	600	200	600	515	Appply to 800x600 KA series cabinets
KP611288 □	Base8820	800	800	200	600	715	Appply to 800x800 KA series cabinets
KP611280 □	Base8020	800	1000	200	600	915	Appply to 800x1000 KA series cabinets
KP611281 □	Base8120	800	1100	200	600	1015	Appply to 800x1100 KA series cabinets
KP611282 □	Base8220	800	1200	200	600	1115	Appply to 800x1200 KA series cabinets



MODEL NO. NUMBERING

KP **C** **06** **H** **B** **A** **A**
 Socket type Outlet quantity Mounting type Casing Input current Functional module

06=6 Outlets
 08=8 Outlets

H =Horizontal
 S =Vertical

A =Plastic
 B =Silver anodized aluminum
 C =Black anodized aluminum

A =10A (1²)
 B =10A (1.5²)
 C =16A (2.5²)
 D =32A (4²)
 E =64A (6²)

A = Universal	F = DE 16A	O = IEC C13
B = CHN 10A	G = FR 16A	P = IEC C19
C = CHN 16A	H = IT 16A	Q = IEC C13With cord locking system
D = US 15A	I = AU 10A	R = IEC C19With cord locking system
E = UK 13A	J = ZA 16A	X = Others

A = Switch	M = Cyber surge protector+Switch
B = Indicator	P = Voltage ampere meter
C = Overload protector	Q = Voltage ampere meter+Switch
D = Overload protector+Switch	R = Intelligent ammeter
E = Terminal block	S = Intelligent ammeter+Switch
F = 1 light surge protective device	T = breaker 1P
G = 1 light surge protective device+Switch	U = breaker 1P+Terminal block
H = 3 light surge protective device	V = breaker 2P
I = 3 light surge protective device+Switch	W = breaker 2P+Terminal block
J = Hot-swap surge protector	Y = 1P leakage protector
L = Cyber surge protector	Z = 1P leakage protector+Terminal block
	1 = Network module

- The default power cord length is 2 meters.
- The input power cord plug type matches the socket type. The IEC socket is matched to the industrial plug.
- Horizontal installation PDU is default left side cable entry.
- Vertical installation PDU is default left side cable entry. (if PDU installed in both side, the cableentry also needed in both side)

SOCKET TYPE

GB



Code	B
Standard	GB1002
Parameter	10A 250VAC



Code	C
Standard	GB1002
Parameter	16A 250VAC

U.S.A.



Code	D
Standard	NE MA5-15R
Parameter	15A 125VAC

U.K.



Code	E
Standard	BS1363
Parameter	13A 230VAC

Germany



Code	F
Standard	DIN49440
Parameter	16A 250VAC

France



Code	G
Standard	NFC61-314
Parameter	16A 250VAC

Italy



Code	H
Standard	ITALY UNIVERSAL
Parameter	ITALY16A 250VAC

Australia



Code	I
Standard	AS/NES 3112
Parameter	10A 250VAC

South Africa



Code	J
Standard	RSA546
Parameter	16A 250VAC

IEC



Code	O
Standard	IEC60320 C13
Parameter	10A 250VAC



Code	P
Standard	IEC60320 C19
Parameter	16A 250VAC



Code	Q
Standard	IEC60320 C13 Anti-shedding
Parameter	10A 250VAC



Code	R
Standard	IEC60320 C19 Anti-shedding
Parameter	16A 250VAC

FUNCTIONAL MODULE TYPE



Code	A
Module name	Switch
Parameter	10A / 16A 250VAC



Code	B
Module name	indicator light
Size	125 / 250VAC



Code	C
Module name	Overload protector
Parameter	10A / 16A 250VAC



Code	F
Module name	1 light surge protective device
Size	1U / 1.5U



Code	H
Module name	3 light surge protective device
Size	1U / 1.5U



Code	J
Module name	Hot-plug surge protector
Size	1U / 1.5U



Code	L
Module name	network surge protector
Size	1U / 1.5U



Code	P
Module name	Voltage ampere meter
Size	1U / 1.5U



Code	T
Module name	1P Circuit breaker w/cover
Parameter	1A-60A 250VAC



Code	V
Module name	2P Circuit breaker w/cover
Parameter	1A-60A 250VAC



Name	PDU
Mode No	KPU6KEHSA
Description	19 “, horizontal mounting, 6 outlets, IEC C13, 2m cord, 16A, with SPD, with switch, 1U black aluminum housing



Name	PDU
Mode No	KPU6ABASA
Description	19 “, horizontal mounting, 6 outlets, Chinese, 2m cord, 10A, with SPD, with switch, 1U black aluminum housing



Name	PDU
Mode No	KPU6ABBAA
Description	19 “, horizontal mounting, 6 outlets, UK type, 2m cord, 13A, with switch, 1U black aluminum housing



Name	PDU
Mode No	KPU8KEHAA
Description	19 “, horizontal mounting, 8 outlets, IEC C13, 2m cord, 16A, with switch, 1U black aluminum housing



Name	PDU
Mode No	KPU8ABAAA
Description	19 “, horizontal mounting, 8 outlets, Chinese, 2m cord, 10A, with switch, 1U black aluminum housing



Name	8位国标 16A PDU
Mode No	KPU8GEGAA
Description	19 “, horizontal mounting, 8 outlets, UK type, 2m cord, 13A, with switch, 1U black aluminum housing